

Non spring return plant valve actuators

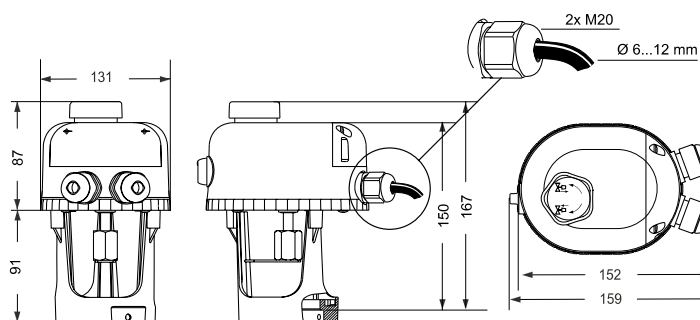
VA-7700

Floating and proportional control

The VA-7700 series provides floating and proportional control and can be mounted onto VG7000, VGS800 and VG9000 valves.

Features

- ▶ 24 VAC and 230 VAC power supply
- ▶ Floating and proportional control
- ▶ Manual override
- ▶ LED operating status display
- ▶ Self calibrating
- ▶ IP54 enclosive protection



Dimensions in mm

Ordering information

Mounting onto VG7000 series valves

Codes	Supply voltage (50/60Hz)	Action control	Force	Stroke	Full stroke time	Protection class	Power consumption
VA-7700-1001	24 VAC	Floating	500 N	20 mm	190 s	IP54	2.4 VA
VA-7700-1003	230 VAC						
VA-7740-1001	24 VAC						
VA-7740-1003	230 VAC						
VA-7706-1001	24 VAC	Proportional					4.4 VA
VA-7746-1001							

Mounting onto VGS8000 and VG9000 series valves

Codes	Supply voltage (50/60Hz)	Action control	Force	Stroke	Full stroke time	Protection class	Power consumption
VA-7700-8201	24 VAC	Floating	500 N	20 mm	190 s	IP 54	2.4 VA
VA-7700-8203	230 VAC						
VA-7740-8201	24 VAC						
VA-7740-8203	230 VAC						
VA-7706-8201	24 VAC	Proportional					4.4 VA
VA-7746-8201							